



YLI ELECTRONIC

Fail Safe Electric Bolt is for Auto-door

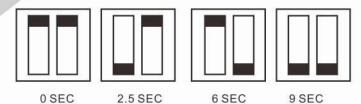
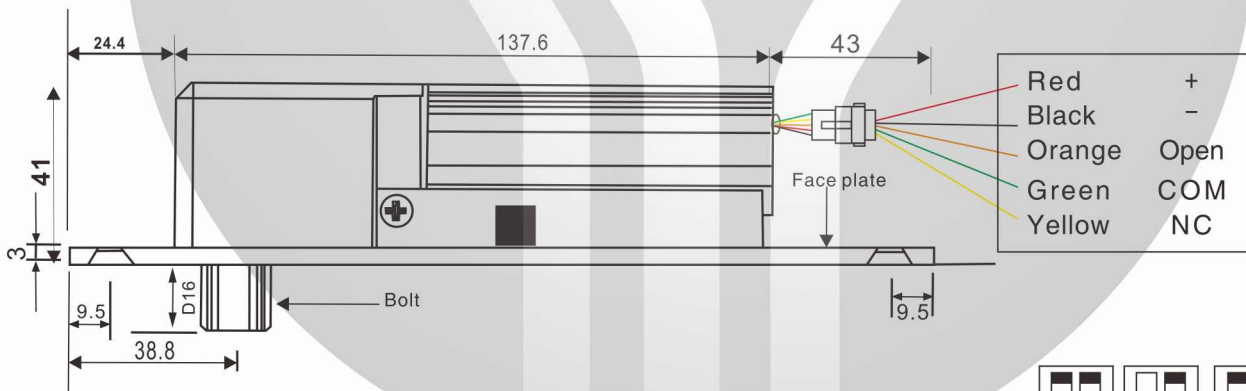
Model:YB-400



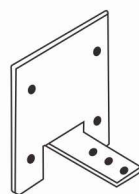
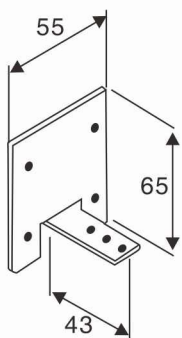
Parameters

Face Plate	205Lx35Wx41H(mm)
Strike	90Lx25Wx2H(mm)
Decorative Panel	215Lx40Wx0.5H(mm)
Bolt	16mmDIA, stainless steel 16mm throw
Signal Output	Replay signal output
Time Delay	0 / 3 / 6 / 9 s e c
Voltage	1 2 V D C
Current	Start 930mA, Standby 130mA
Fail Safe	Locked when energized
Suitable for	Wooden door, metal door, glass door
Weight	0 . 8 k g

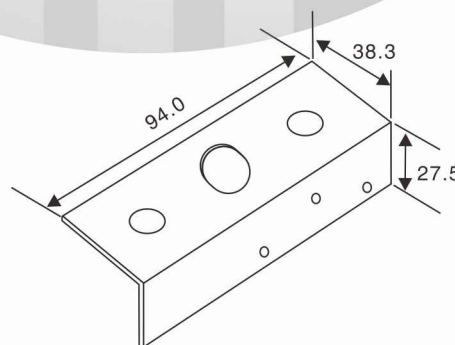
Dimensions



AUTOLOCK TIME DELAY SETTING

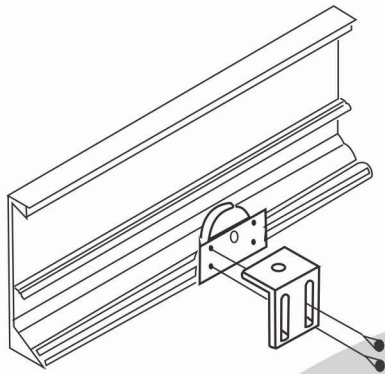


BBK-300

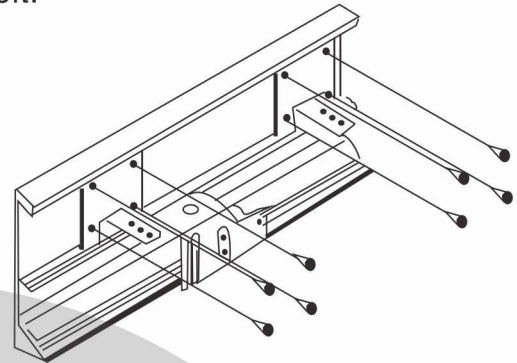


Installation

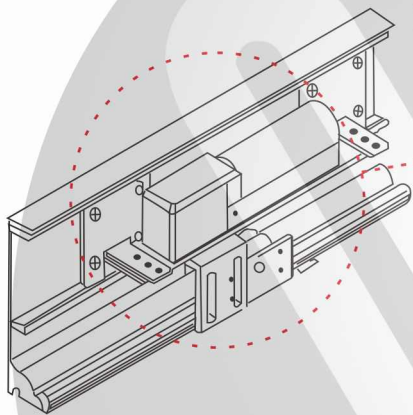
1 Fix the L bracket under the track



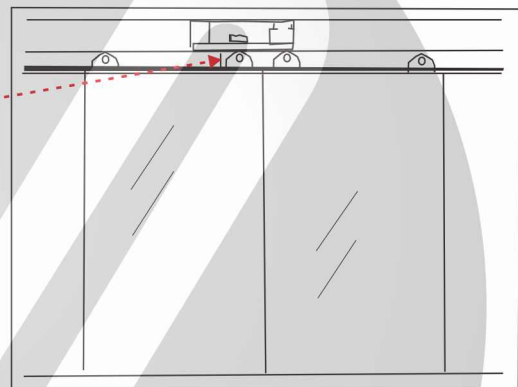
2 Fix the angle iron on the side face of track according to the faceplate length of electric bolt.



3 Fix the electric bolt on the angle iron



4 Schematic diagram



Wiring Diagram

