



YLI ELECTRONIC  
意林電子



# Waterproof Access control keypad

Model:YK-158

## Introduction

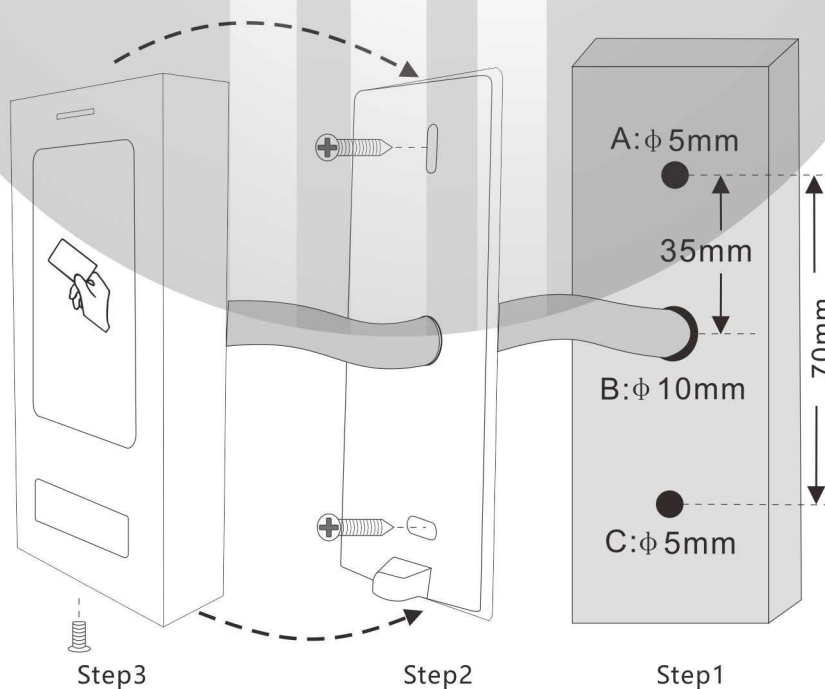
YK-158 is a metal stand-alone access control. It uses Atmel MCU assuring stable performance and low-power circuit makes long service life. It is IP66 waterproof, it is very suitable for outdoor use.

## Features

- Dimensions: L105xW50xD19(mm)
- Operating voltage: 12-18VDC
- Standby current :  $\leq 25\text{mA}$
- Card Support: EM Card
- Frequency: ID :125KHz(Order:IC:13.56MHz)
- User capacity: 2000
- Operating temperature:  $-40^{\circ}\text{C}\sim 60^{\circ}\text{C}$
- Operating Humidity: 10%~98%
- Lock output load: 2Amp Maximum
- Read Range: 30mm
- Waterproof Grade: IP66
- Weight: 0.22kg

## Installation

- > Remove the back cover from the unit
- > Drill 2 holes (A~C) on the wall for the screws and one hole for the cable (B) (step 1)
- > Knock the supplied rubber bungs to the screw holes (A~C) and fix the back cover on the wall ( Step 1 and 2) .
- > Fix the front cover to the back cover and screw it (step 3) .



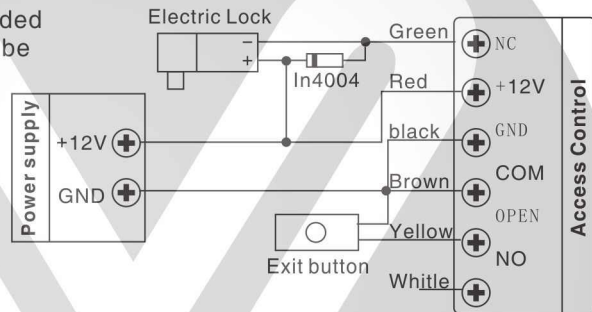
# Wiring

NO	Color	Function	Notes
1	Green	NC	Normally Closed Relay Output
2	Brown	COM	Common Connection for Relay Output
3	White	NO	Normally Open Relay Output
4	Black	GND	-
5	Red	+12V	+
6	Yellow	OPEN	Request to exit input

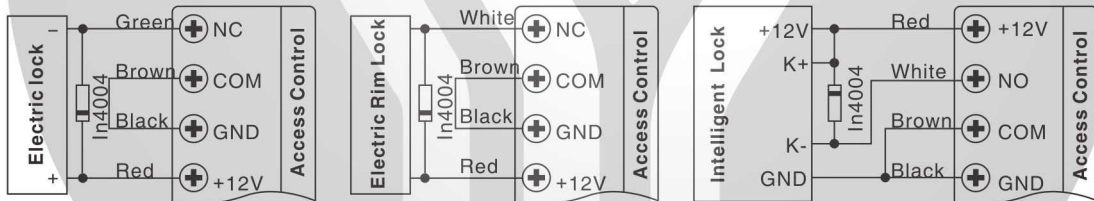
## Connection Diagram

### Common power supply:

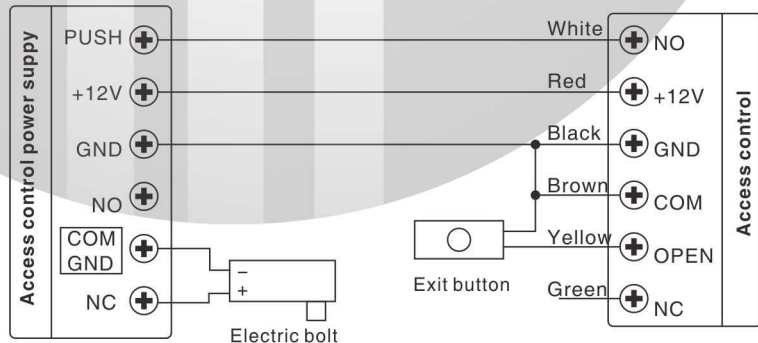
**Attention:** Install a 1N4004 or equivalent diode is needed when use a common power supply or the reader might be damaged. (1N4004 is included in the packing)



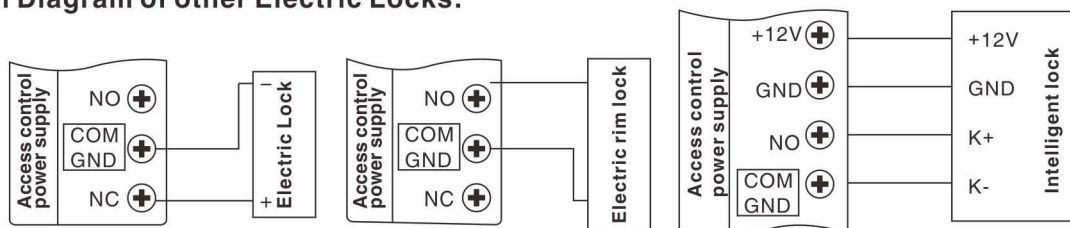
### Connection Diagram of other Electric Locks:



### Access control power supply:



### Connection Diagram of other Electric Locks:



## Reset to factory default and add master card

Remarks: Reset to factory default, the user's information is still retained

Step	Setting
1	Cut the power, press the exit button and hold it
2	Power on ,there will be two beeps and the LED light turns into yellow, release the exit button,then read any two cards, the LED will turn into red . the first one will be master add card and second one will be master delete card
3	reset to factory default and add master card successfully

### 2、 Instruction of Master card:

#### 2.1 Master card to add card users:

In the standby mode, read master add card, the yellow light shines ,read user card and then read master add cards to exit.

#### 2.2 Using master delete cards to delete cars users:

In the standby mode, read master delete card , the yellow light shines, read user card and then read master delete card to exit

## Administrator operation (use the infrared remote control to aim at the LED indicator to operate)

### 1、 Enter program mode (factory default is 123456)

The following 6.2~6.9 setting items are effective only after entering the programming mode.

Step	Enter program mode
1	*123456#

### 2、 Set master code:

Master code must be 6 digits. For system security, please amend the master code.

Programming step	Keystroke combination
1、 Enter program mode	*(master code) #
2、 enter master code	0 (new master code) # (repeat master code) #
3、 exit program mode	*

### 3、 Add card user:

\* Assign a user ID to the card user, ID number range: 1-2000

\* Read the card continuously or enter the card number continuously to add the user

Programming step	Keystroke combination
1、 Enter program mode	*(master code)#
2、 Using auto ID By card number Select specific ID Block learn	1(read card)... # 1(8 digits or 10 digits card number 1(ID NO#)(read card)or(8 digits or 10 digits card number#) 1(ID NO#)(card quantity)#(88 digits or 10 digits card number)#
3、 Exit	*

### 4、 Delete cards user:

Programming step	Keystroke combination
1、 enter program mode	*(master code)#
2、 Delete card: by read card Delete card: by user ID Delete card: by card number Delete all card users	2(read card)... # 2 (User ID)... # 2(input 8/10 digits card number#)... 2(mater code)#
3、 Exit	*

## 5、Unlock time setting : (factory default is 5sec)

Unlock time setting: 1~99sec.

Programming step	Keystroke combination
1、 Enter program mode	* (master code) #
2、 Input unlock time	0 (new code) # (repeat the new code) #
3、 Exit	*

## 6、 Electrical switch control signal setting:

For Electrical switch and electric lock control, only one can be selected.

In electrical switch mode, the door is closed, to open the door, please read the card, to open the door ,please read the card again.

Programming step	Keystroke combination
1、 Enter program mode	* (master code)#
2、 Latch mode	3(0)#
3、 Exit	*

## Users operation

- 1、 Open the door:**  
read the valid user card, the door will open and the green shines
- 2、 Remove alarm:**  
read valid card, or input master code#

## Sound and light indication

Operating status	LED indicator	Buzzer
Standby	red	
Valid enter		Beep-
Enter programming mode	Red light shines	Beep-
In the programming mode	Yellow light bright	Beep
Operation error		Three beeps
Open lock	Green	Beep-
Alarm	Red light shines quickly	Beeps

## Packing list

Item	Model/ Specification	Quantity
Access control	ID	1
Master cards	Adding/delete	2
Infrared remote		1
User manual		1
Diode	IN4004	1
Self tapping screws	Φ3*25mm	2
Wall anchors		2